



 **CONTAINERS**

1278 HIGHWAY 461

SOMERSET KY 42503

PH: (606) 677-1450

WWW.MW-CONTAINERS.COM



CONTAINERS

***Your Resource for
Sharps Containers***





- ***Sharp Containers***

Popular models of disposable sharp containers

- ***DOT Certified Containers***

18-28-38-96-200 Gallon Containers

Great Prices

Great Service

***Your ONE STOP for
Container Supplier***



***Your choice for
Medical Waste Containers***

TABLE OF CONTENTS

Into	1
MED K Sharps Container	
MED-K.....	3
MED F Sharps Container	
Introduction	4
MED-F2.0, MED-F3.0	5
MED-F4.0, MED-F5A	6
MED-F5B, MED-F6.0	7
MED-F7.0, MED-F10	8
MED-F15, MED-F23	9
MED R Sharps Container	
Introduction	10
MED-R0.7, MED-R1	11
MED-R1.5, MED-R2.4	12
MED-R3A, MED-R3B	13
MED-R6, MED-R8.....	14
MED Y Sharps Container	
Introduction	15
MED-Y0.8, MED-Y2.8	16
MED-Y3.6, MED-Y6	17
MED-Y6B	18
MED T Sharps Container	
Introduction	19
MED-T1A, MED-T1B	20
MED-T2, MED-T3.....	21
MED-T4.6A, MED-T4.6B.....	22
MED-T4.6C, MED-T5	23
MED S Sharps Container	
Introduction	24
MED-S1.7, MED-S2	25
MED-S7, MED-S5B	26
MEDical Waste Container	
Introduction	27
MED-18, MED-28, MED-38.....	28
MED-96, MED-200	29
MED-Container Accessories	30
Accessories - Sharp Containers.....	31
SW - Containers	32
Footpedal Waste Containers	33
Cleaning Supplies	34

MED-K- Pocket Sharps Container

- Smart Size
- Leak Proof and Puncture Resistant
- Appropriate sliding opening
- Temporary closure & definite closure
- Needle removal cap
- Befitting for the pocket
- Very convenient for outdoor or travel use



Available Color: 

Model: MED-K (Capacity: 0.2 L)

Product Size (cm)	pcs/ctn	Carton Dims (cm)
7.6x3.8x10	200	38x36x42



MED-F - Model

- Most Popular quadrate shape
- Leak Proof and Puncture Resistant
- Wide and clear opening for easy disposal
- Counterbalanced door for hands-free disposal
- Ergonomically-designed handle
- Temporary closure & definite closure
- Practical rotating/sliding temporary lid
- Secure perimeter lock for safe usage and transportation
- Easy manipulation
- Comprehensive label details
- Safe to human health and environment



MED-F - Model

Model: MED-F-2.0 (Capacity: 2.0 L)

Product Size (cm)	pcs/ctn	Carton Dims (cm)
20x16x12	30	41x34x25



Model: MED-F-3.0 (Capacity: 3.0 L)

Product Size (cm)	pcs/ctn	Carton Dims (cm)
20x16x13.5	30	41x34x31.5



Available Color:

MED-F - Model

Model: MED-F-4.0 (Capacity: 4.0 L)

Product Size (cm)	pcs/ctn	Carton Dims (cm)
24.5x20x14.5	20	51x42x25



Model: MED-F-5a (Capacity: 5.0 L)

Product Size (cm)	pcs/ctn	Carton Dims (cm)
24.5x20x16.5	24	51x42x29.5



MED-F - Model

Model: MED-F-5B (Capacity: 5.0 L)

Product Size (cm)	pcs/ctn	Carton Dims (cm)
24.5x20x16	24	51x42x25



Model: MED-F-6.0 (Capacity: 6.0 L)

Product Size (cm)	pcs/ctn	Carton Dims (cm)
24.5x20x18.5	24	51x42x31



MED-F - Model



Model: MED-F-7.0 (Capacity: 7.0 L)

Product Size (cm)	pcs/ctn	Carton Dims (cm)
25x20x23	24	51x42x37



Model: MED-F-10 (Capacity: 10.0 L)

Product Size (cm)	pcs/ctn	Carton Dims (cm)
30x20x26	12	42x34x58



MED-F - Model



Model: MED-F-15 (Capacity: 15.0 L)

Product Size (cm)	pcs/ctn	Carton Dims (cm)
36x22x26	20	49x39x65



Model: MED-F23 (Capacity: 23.0 L)

Product Size (cm)	pcs/ctn	Carton Dims (cm)
37x24x38	20	49x39x82



Available Color: 

MED-R - Model

- New-developed round shape
- New Leak Proof and Puncture Resistant
- Funnel-designed and built-in needle removal cap for easy and safe disposal
- Various indent design for easy needle removal
- Temporary closure & definite closure
- Convenient extra lid design for temporary and final closure
- Secure perimeter lock for safe usage and transportation
- Easy manipulation
- Comprehensive label details
- Safe to human health and environment

Available Color: 



MED-R - Model



Model: MED-R-0.7 (Capacity: 0.7 L)

Product Size (cm)	pcs/ctn	Carton Dims (cm)
9.5x7.5x13.5	100	35x35x46



Model: MED-R-1 (Capacity: 1.0 L)

Product Size (cm)	pcs/ctn	Carton Dims (cm)
20x16x13.5	30	41x34x31.5



Available Color:

MED-R - Model



Model: MED-R-1.5 (Capacity: 1.5 L)

Product Size (cm)	pcs/ctn	Carton Dims (cm)
14x11x15	60	37x32x54



Model: MED-R-2.4 (Capacity: 2.4 L)

Product Size (cm)	pcs/ctn	Carton Dims (cm)
14x11.5x20	40	48x32x50



MED-R - Model



Model: MED-R-3A (Capacity: 3.0 L)

Product Size (cm)	pcs/ctn	Carton Dims (cm)
14x12x24	30	48x32x48



Model: MED-R-3B (Capacity: 3.0 L)

Product Size (cm)	pcs/ctn	Carton Dims (cm)
14x12x24	30	48x32x53



Available Color:

MED-R - Model



Model: MED-R-6 (Capacity: 6.0 L)

Product Size (cm)	pcs/ctn	Carton Dims (cm)
22.5x20x19	24	44x44x40.5



Model: MED-R-8 (Capacity: 8.0 L)

Product Size (cm)	pcs/ctn	Carton Dims (cm)
22.5x18x26	24	53x42x45



MED-Y

- Traditional-designed round shape
- Leak Proof and Puncture Resistant
- Wide opening for easy disposal
- Temporary closure & definite closure
- Large and practical rotating/sliding temporary lid
- Easy manipulation
- Comprehensive label details
- Safe to human health and environment

Available Color: 



MW CONTAINERS
 YOUR RESOURCE FOR SHARPS CONTAINERS

MED-Y- Model



Model: MED-Y-08 (Capacity: 0.8 L)

Product Size (cm)	pcs/ctn	Carton Dims (cm)
12x9x11.5	90	38x38x39.5



Model: MED-R-2.8 (Capacity: 2.8 L)

Product Size (cm)	pcs/ctn	Carton Dims (cm)
16x14x15	30	36x36x37



MED-Y- Model



Model: MED-Y-3.6 (Capacity: 3.6 L)

Product Size (cm)	pcs/ctn	Carton Dims (cm)
16.5x14x19	50	52x52x30



Model: MED-Y-6 (Capacity: 6.0 L)

Product Size (cm)	pcs/ctn	Carton Dims (cm)
22x19x20	30	44x44x44.5



Available Color:

MED-Y- Model

Model: MED-Y-6B (Capacity: 6.0 L)

Product Size (cm)	pcs/ctn	Carton Dims (cm)
22x19x20	30	44x44x44.5



MED-T

- Novel quadrate shape
- Leak Proof and Puncture Resistant
- Wide, clear and practical opening for easy and safe disposal
- Counterbalanced door for hands-free disposal
- Built-in needle removal
- Ergonomically-designed handle on the side/lid
- Temporary closure & definite closure
- Secure perimeter lock for safe usage and transportation
- Easy manipulation
- Comprehensive label details
- Safe to human health and environment

Available Color:



MW CONTAINERS
YOUR RESOURCE FOR SHARPS CONTAINERS

MED-T- Model



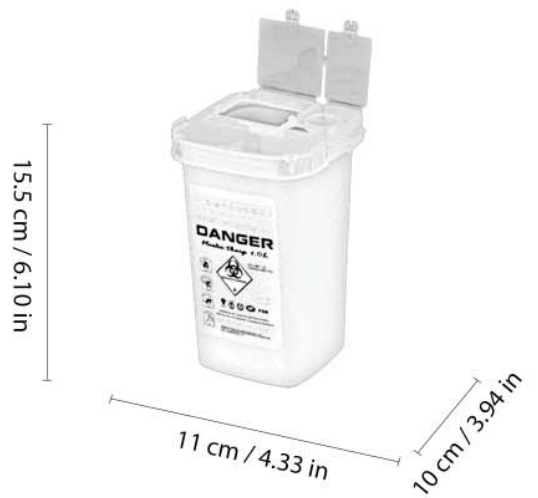
Model: MED-T-1A (Capacity: 1.0 L)

Product Size (cm)	pcs/ctn	Carton Dims (cm)
10.5x8x18	60	37x32x41



Model: MED-T-1B (Capacity: 1.0 L)

Product Size (cm)	pcs/ctn	Carton Dims (cm)
11x10x15.5	60	37x32x41



MED-T- Model

Model: MED-T-2 (Capacity: 2.0 L)

Product Size (cm)	pcs/ctn	Carton Dims (cm)
19x11x16.5	30	40.5x27x45



Model: MED-T-3 (Capacity: 3.0 L)

Product Size (cm)	pcs/ctn	Carton Dims (cm)
16x13x18	54	47x50x40



Available Color:

MED-T- Model



Model: MED-T-4.6A (Capacity: 4.6 L)

Product Size (cm)	pcs/ctn	Carton Dims (cm)
27x11.5x28	20	58x57x28



Model: MED-T-4.6B (Capacity: 4.6 L)

Product Size (cm)	pcs/ctn	Carton Dims (cm)
27x11.5x27	20	58x35x28



MED-T - Model



Model: MED-T-4.6C (Capacity: 4.6 L)

Product Size (cm)	pcs/ctn	Carton Dims (cm)
27x11.5x27	20	58x56x28



Model: MED-T-5 (Capacity: 5.0 L)

Product Size (cm)	pcs/ctn	Carton Dims (cm)
15.5x13x31	50	67x32x47.5



MED-S- Model

- Special and square shape
- Newly designed
- Leak Proof and Puncture Resistant
- Solid and stable stand
- 2L and 5L models are perfect for long size needle disposal
- Cardboard sharps box for special needs
- Secure perimeter lock for safe usage and transportation
- Easy manipulation
- Comprehensive label details
- Safe to human health and environment

Available Color: 



MED-S- Model

Model: MED-S-1.7 (Capacity: 1.7 L)

Product Size (cm)	pcs/ctn	Carton Dims (cm)
10x10x21.5	40	54x44x44.5



Model: MED-S-2 (Capacity: 2.0 L)

Product Size (cm)	pcs/ctn	Carton Dims (cm)
13x12x25.5	40	46x33x46



MED-S- Model



Model: MED-S-7 (Capacity: 7.0 L)

Product Size (cm)	pcs/ctn	Carton Dims (cm)
20x20x26.5	24	44x42x45



Model: MED-S-5B (Capacity: 5.0 L)

Product Size (cm)	pcs/ctn	Carton Dims (cm)
16x12.5x29	60	41x62x28.5



MEDical Waste Containers

Available Color: 

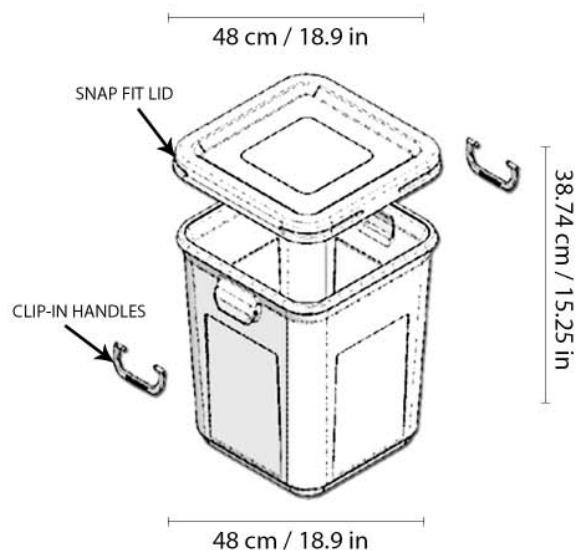
- Leak Proof and Puncture Resistant
- Meets all DOT Regulations
- Nesting bins and lids
- Stackable, Easy Handling
- Custom hot stamping available



MW CONTAINERS
YOUR RESOURCE FOR SHARPS CONTAINERS

MED-Containers

Model: MED-18 (Capacity: 18 Gallon)



Model: MED-28 (Capacity: 28 Gallon)



Model: MED-38 (Capacity: 38 Gallon)



MED- Containers



Model: MED-96 (Capacity: 96 Gallons)

- Meets all D.O.T. Regulations
- Stackable, Slim Line Design, Easy to Handle
- 8" Rubber Wheels Standard, Additional Sizes Available
- Roto-Lock for Tamper Proofing
- Custom Hot-Stamping Available
- Dimension 24" W x 35" D x 43" H

Approx. 136 per Standard Dry Van

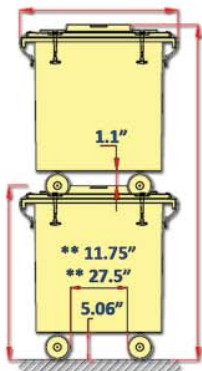
Model: MED-200 (Capacity: 200 Gallon)

- Meets all D.O.T. Regulations
- Leak-proof, Tamper-Proof, Puncture Resistant, Spill-Proof
- Reinforced
- 4" Rubber Wheels Standard, Additional Sizes Available



- Useful for Large Volumes of Waste
- Custom Hot-Stamping Available
- Ideal for using one container per floor

Approx. 80 per Standard Dry Van



* COMPONENT TOLERANCES MAY CAUSE VARIATIONS IN STACK HEIGHT. PROJECTED STACK HEIGHT IS BETWEEN 98.5 AND 99.875"
 ** WHEELS ROTATING INWARD OUTWARD



YOUR RESOURCE FOR SHARPS CONTAINERS

Available Color:

MED-Containers Accessories

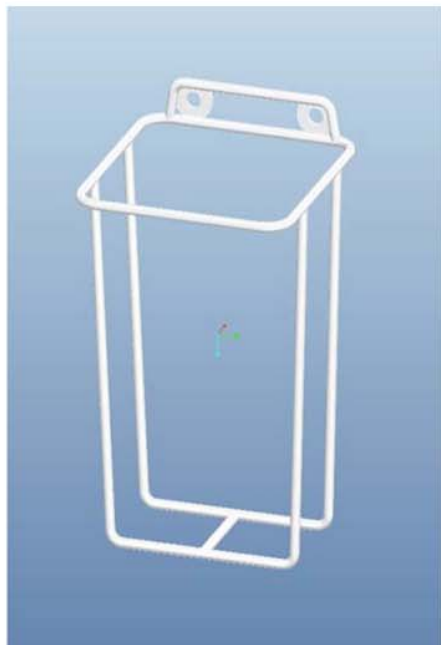
Model: MED-Lab Lid (Fits: 18, 28, 38 Gallon)



Model: MED-Dolly (Fits: 18, 28, 38 Gallon)



Accessories - Sharps Containers



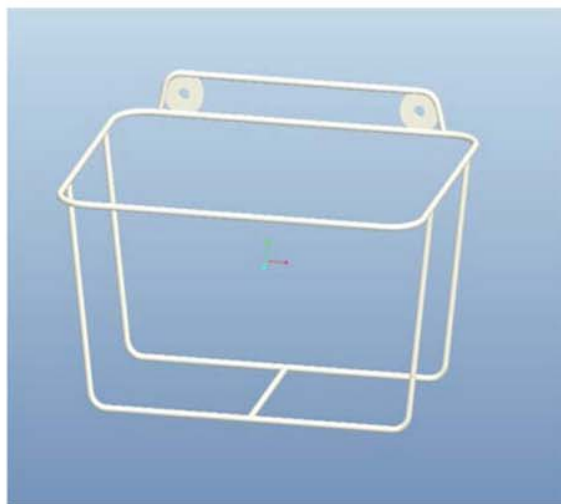
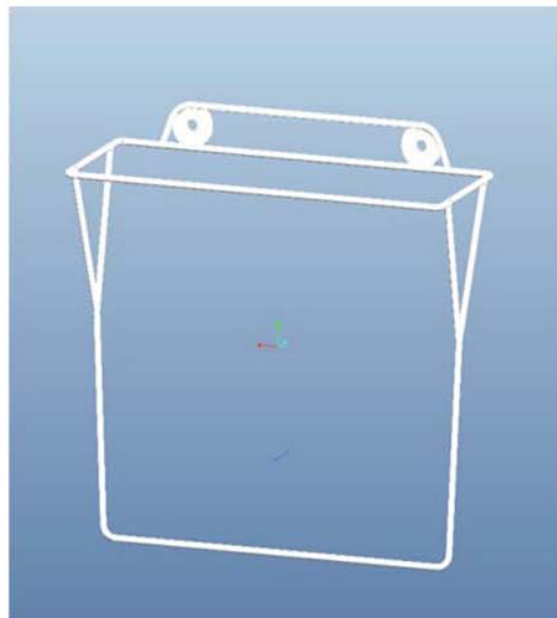
Mounting Brackets for Sharps Containers

Model: T1
 Dimensions: 120x110x150 mm
 Material: 4mm Steel
 Coating: White paint



Mounting Brackets for Sharps Containers

Model: T4.6
 Dimensions: 285x130x275 mm
 Material: 4mm Steel
 Coating: White paint



Mounting Brackets for Sharps Containers

Model: F5
 Dimensions: 260x215x160 mm
 Material: 4mm Steel
 Coating: White paint



YOUR RESOURCE FOR SHARPS CONTAINERS

SW-Containers

Model: SW-660 (Capacity: 174 Gallon)



Dimensions: 1360x1060x1370 mm

Material: HDPE

- Four wheels, 360 degree rotation
- 200 mm dia wheels, 2 with breaks
- Galvanized wheels with plastic core
- Smooth finish prevent bonding of waste

Model: SW-240 (Capacity: 63 Gallon)



Dimensions: 760x595x1000mm

Material: HDPE

- 200 mm dia wheels,
- One shot design, easy for cleaning, handling
- Zinc plated, rigid hollow axle
- Universal recycling symbol free of charge

Model: SW-120 (Capacity: 32 Gallon)



Dimensions: 550x490x930

Material: HDPE

- 200 mm dia wheels,
- One shot design, easy for cleaning, handling
- Zinc plated, rigid hollow axle
- Universal recycling symbol free of charge

Other sizes available: 1100L, 360L, 100L, 50L



Footpedal Waste Bins



MED-BT70A (Capacity: 70L)

Model: BT70A

Dimensions: 442X370X630 mm

Material: HDPE

Available Color: 

MED-BT30B (Capacity: 30L)

Model: BT30B

Dimensions: 365x322x402

Material: HDPE

Available Color: 



MED-BT20B (Capacity: 20L)

Model: BT20B

Dimensions: 365x325x845

Material: HDPE

Inner dustbin for easier handling



YOUR RESOURCE FOR SHARPS CONTAINERS

Available Color: 

CL-Cleaning Supplies



Model: CL - Mop Bucket

Item	Unit Size (mm)
CL-BB36	540x470x410
CL-BB30	480x420x420
CL-BB20	460x270x290
CL-BB60	Double 30L



Model: CL - 6076

Model: CL - Garbage Can

Item	Outer Size (cm)
CL-BB380	78x68
CL-BB280	68x62
CL-BB200	58x54.5
CL-BB150	63x71
CL-BB100	54x58
CL-BB80	51x53
CL-60	38x39



Model: CL-6072



Model: CL-6071



Model: CL-6073



Model: CL-8001



Model: CL-6074

Model: CL-6075